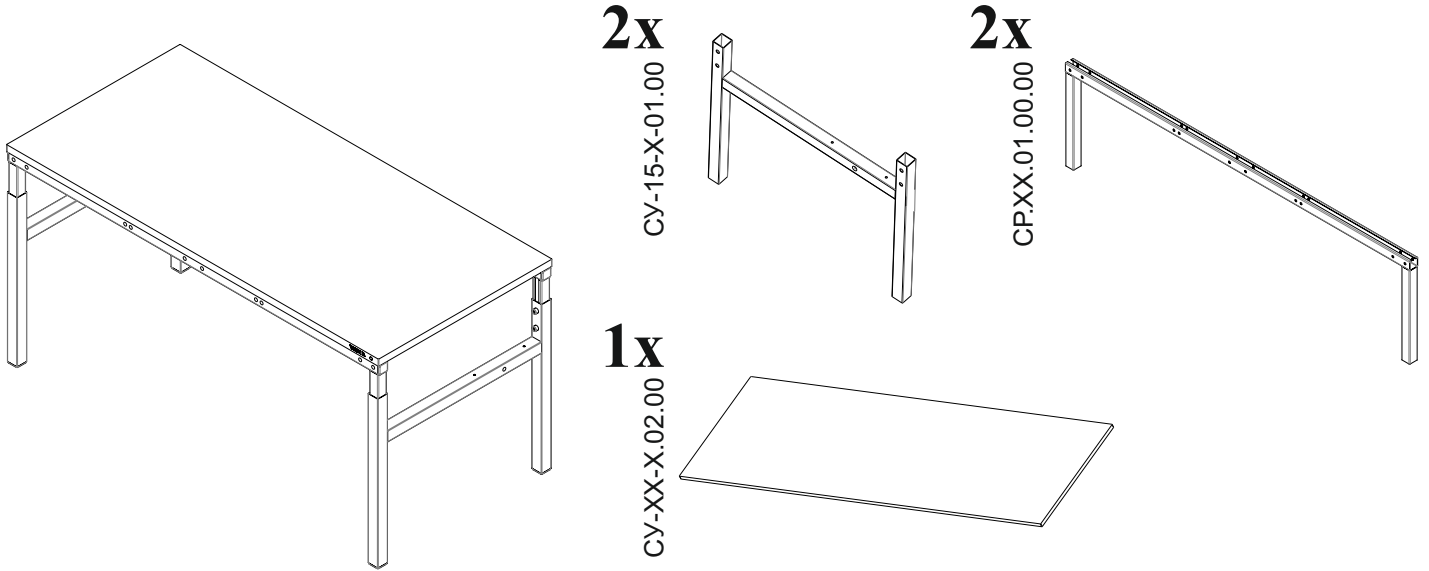
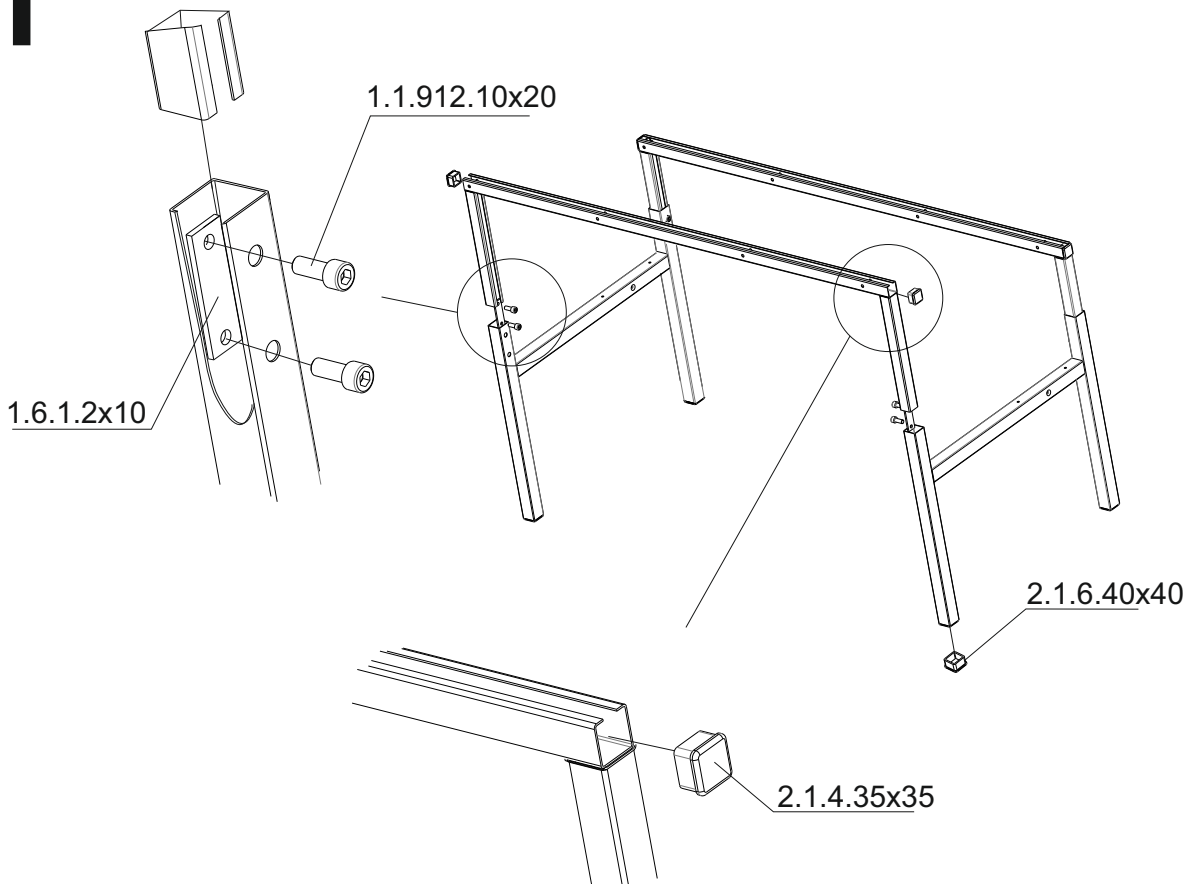


VIKING



<p>4x 1.6.1.2x10</p>	<p>8x 1.1.912.10x20</p>	<p>6x 1.3.6.5x55</p>	<p>4x 2.1.4.35x35</p>	<p>4x 2.1.6.40x40</p>	<p>22x 2.1.9D8</p>	<p>1x 3.1.1.1</p>
---------------------------------	------------------------------------	---------------------------------	----------------------------------	----------------------------------	-------------------------------	------------------------------

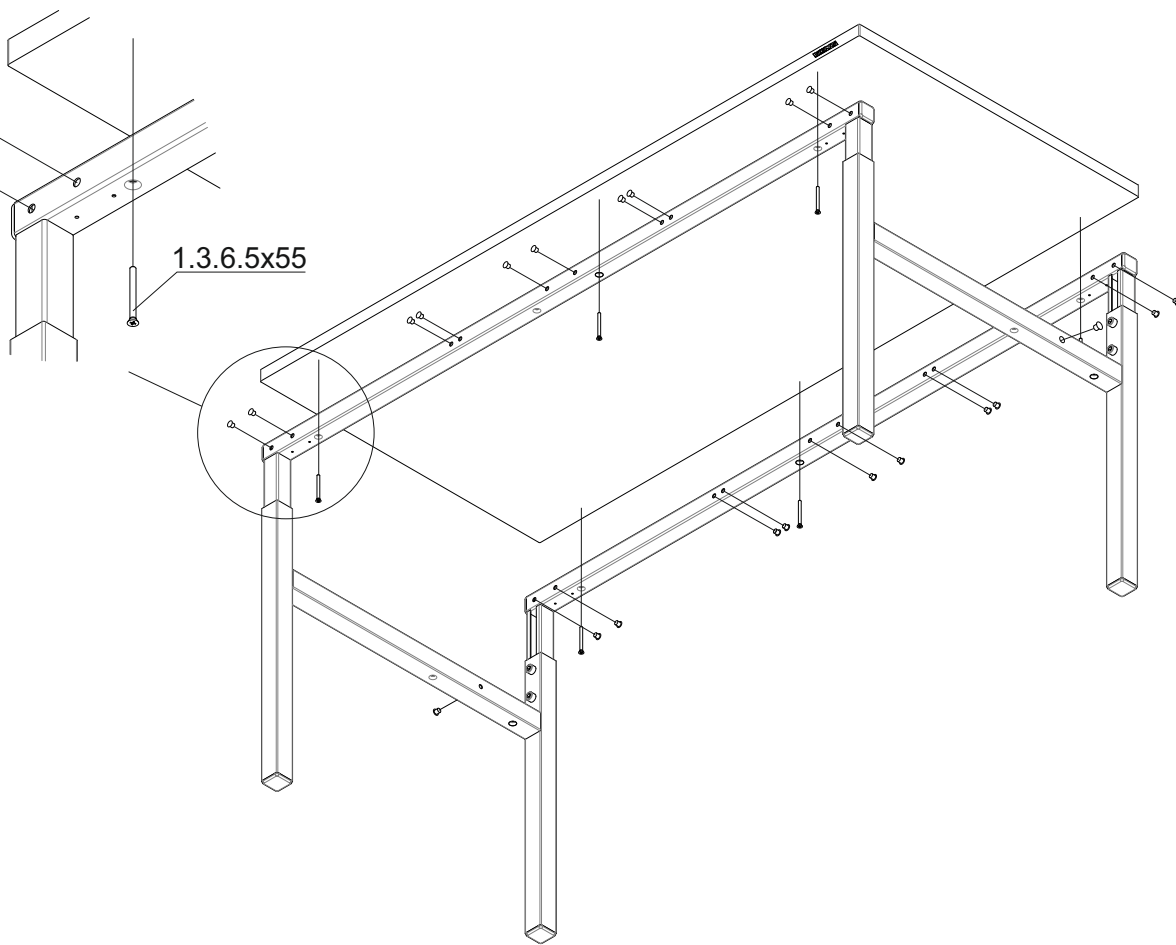
1



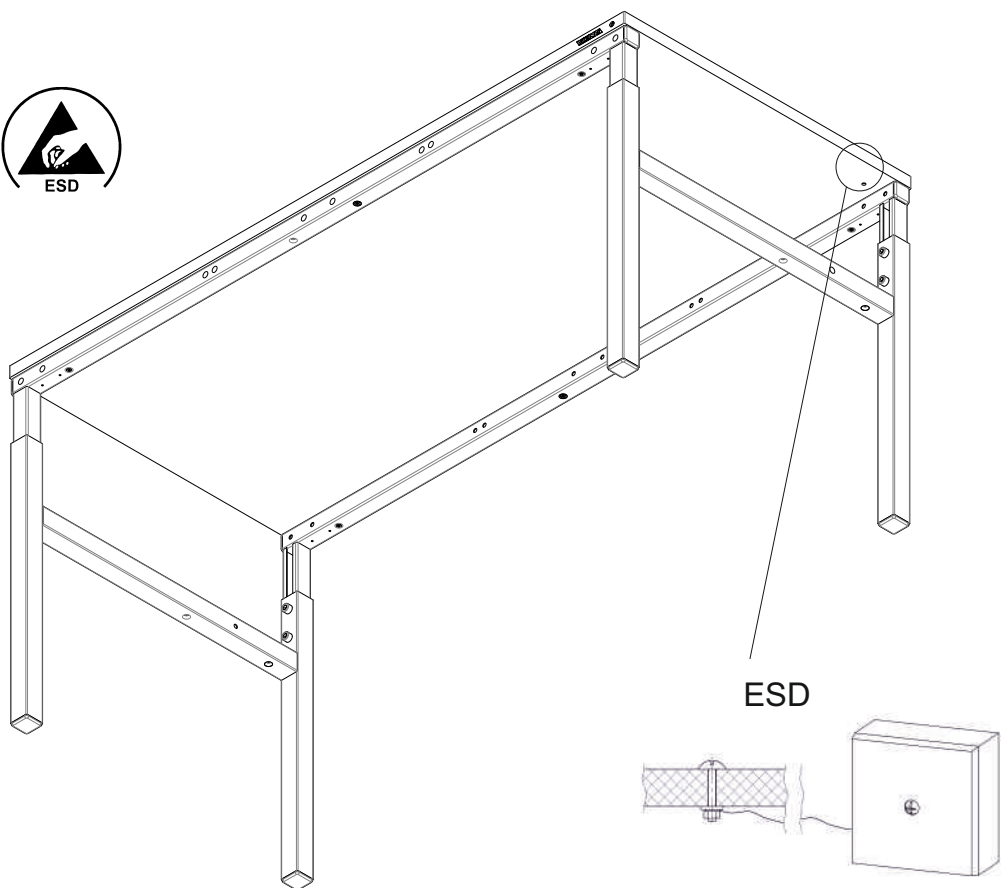
2

2.1.9.D8

1.3.6.5x55



3



ESD